

NOT TO ACTUAL SIZE

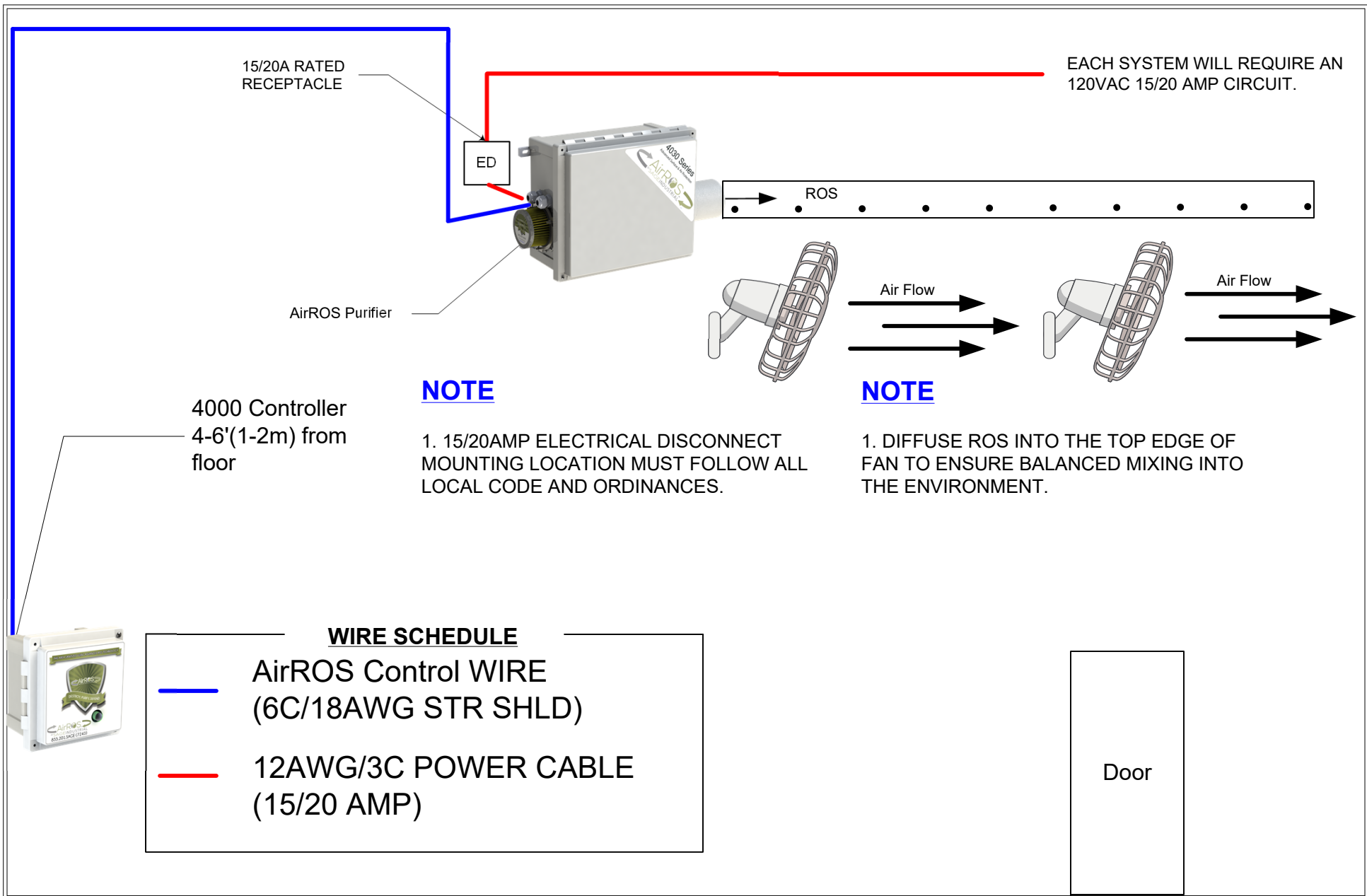
Drawn By:	Brian Taylor	Date:	08/08/2018
Approved By:		Scale:	1" = 12'
Sheet:	1		
Sheet Title:	Room Layout		

No.	Revision/Issue	Date

All designs indicated on these drawings are the property of SAGE Industrial and are intended for the specified job only. They shall not be duplicated for any other purpose without the consent of SAGE Industrial and are protected under provisions of the 1975 copyright act. Copyright 2018 SAGE Industrial Corp. All rights reserved.

Project Name:
**TYPICAL WIRING
DETAILS**





NOT TO ACTUAL SIZE

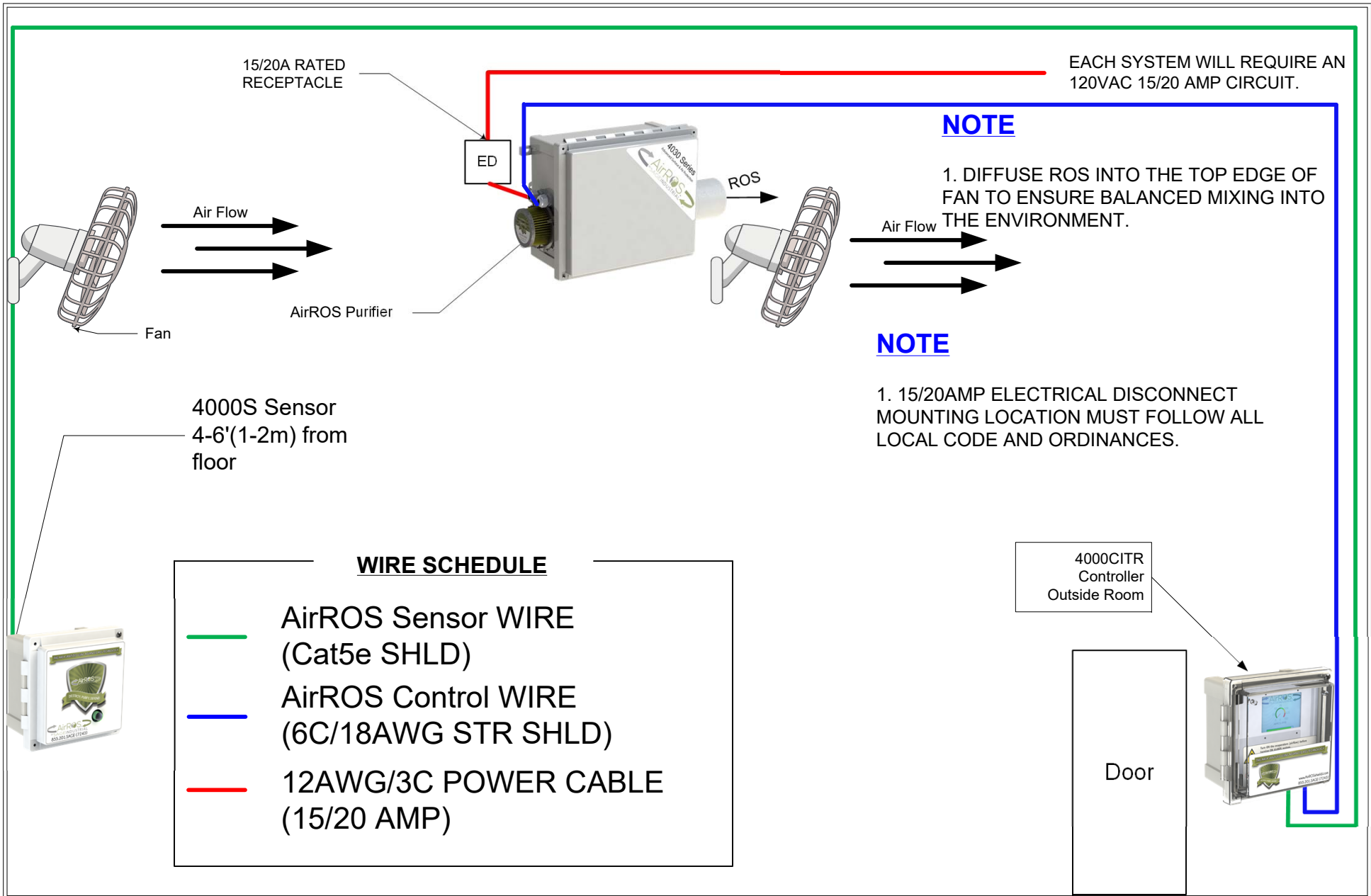
Drawn By:	Brian Taylor	Date:	08/08/2018
Approved By:		Scale:	1" = 12'
Sheet:	1		
Sheet Title:	Room Layout		

No.	Revision/Issue	Date

All designs indicated on these drawings are the property of SAGE Industrial and are intended for the specified job only. They shall not be duplicated for any other purpose without the consent of SAGE Industrial and are protected under provisions of the 1975 copyright act. Copyright 2018 SAGE Industrial Corp. All rights reserved.

Project Name:
**TYPICAL WIRING
DETAILS**





WIRE SCHEDULE

- AirROS Sensor WIRE (Cat5e SHLD)
- AirROS Control WIRE (6C/18AWG STR SHLD)
- 12AWG/3C POWER CABLE (15/20 AMP)

NOT TO ACTUAL SIZE

Drawn By:	Brian Taylor	Date:	08/08/2018
Approved By:		Scale:	1" = 12'
Sheet:	1		
Sheet Title:	Room Layout		

No.	Revision/Issue	Date

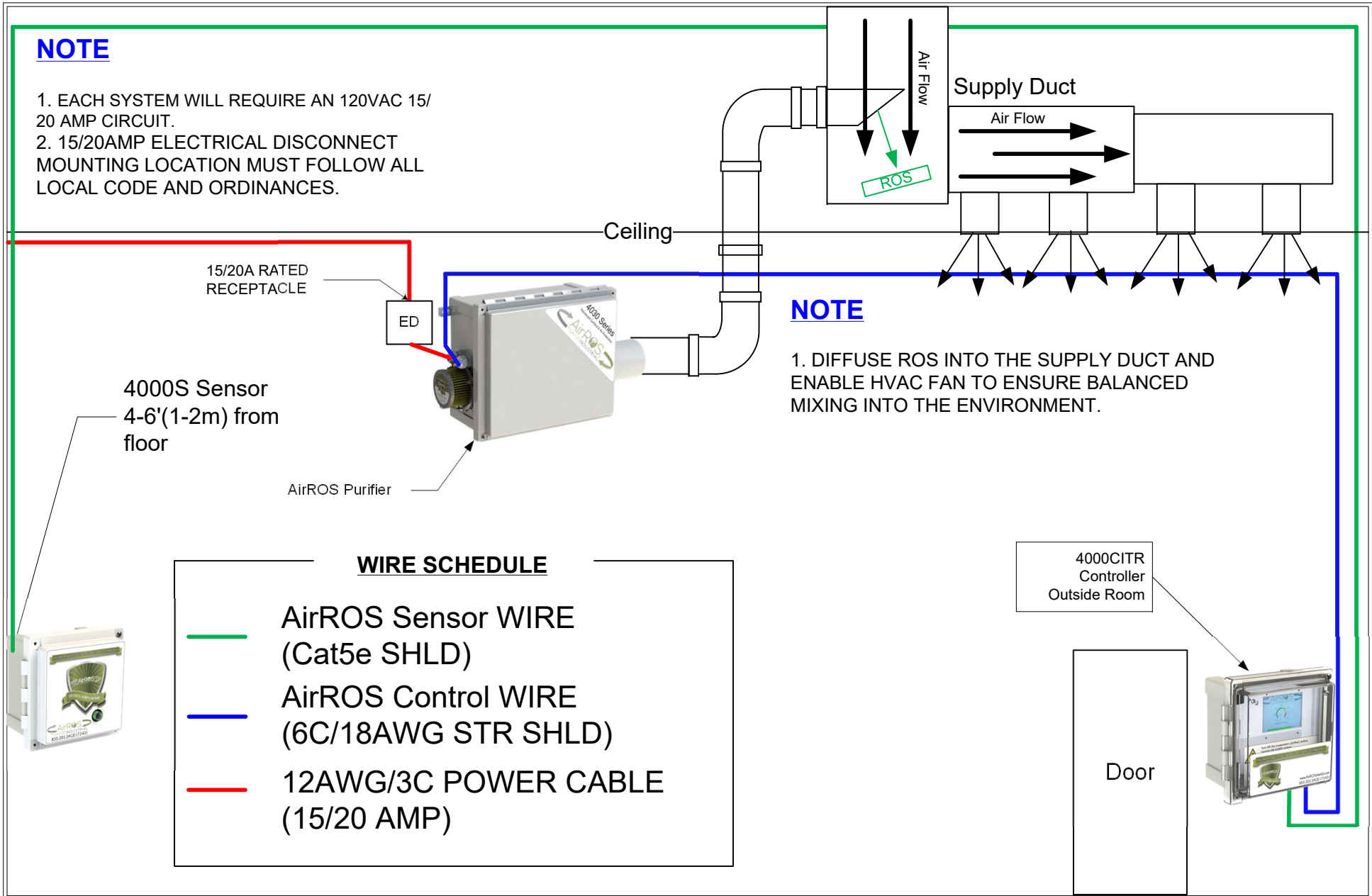
All designs indicated on these drawings are the property of SAGE Industrial and are intended for the specified job only. They shall not be duplicated for any other purpose without the consent of SAGE Industrial and are protected under provisions of the 1975 copyright act. Copyright 2018 SAGE Industrial Corp. All rights reserved.

Project Name:
**TYPICAL WIRING
DETAILS**



NOTE

1. EACH SYSTEM WILL REQUIRE AN 120VAC 15/20 AMP CIRCUIT.
2. 15/20AMP ELECTRICAL DISCONNECT MOUNTING LOCATION MUST FOLLOW ALL LOCAL CODE AND ORDINANCES.



NOTE

1. DIFFUSE ROS INTO THE SUPPLY DUCT AND ENABLE HVAC FAN TO ENSURE BALANCED MIXING INTO THE ENVIRONMENT.

WIRE SCHEDULE

- AirROS Sensor WIRE (Cat5e SHLD)
- AirROS Control WIRE (6C/18AWG STR SHLD)
- 12AWG/3C POWER CABLE (15/20 AMP)

NOT TO ACTUAL SIZE

Drawn By:	Brian Taylor	Date:	07/08/2020
Approved By:		Scale:	1" = 12'
Sheet:	1		
Sheet Title:	Room Layout		

No.	Revision/Issue	Date

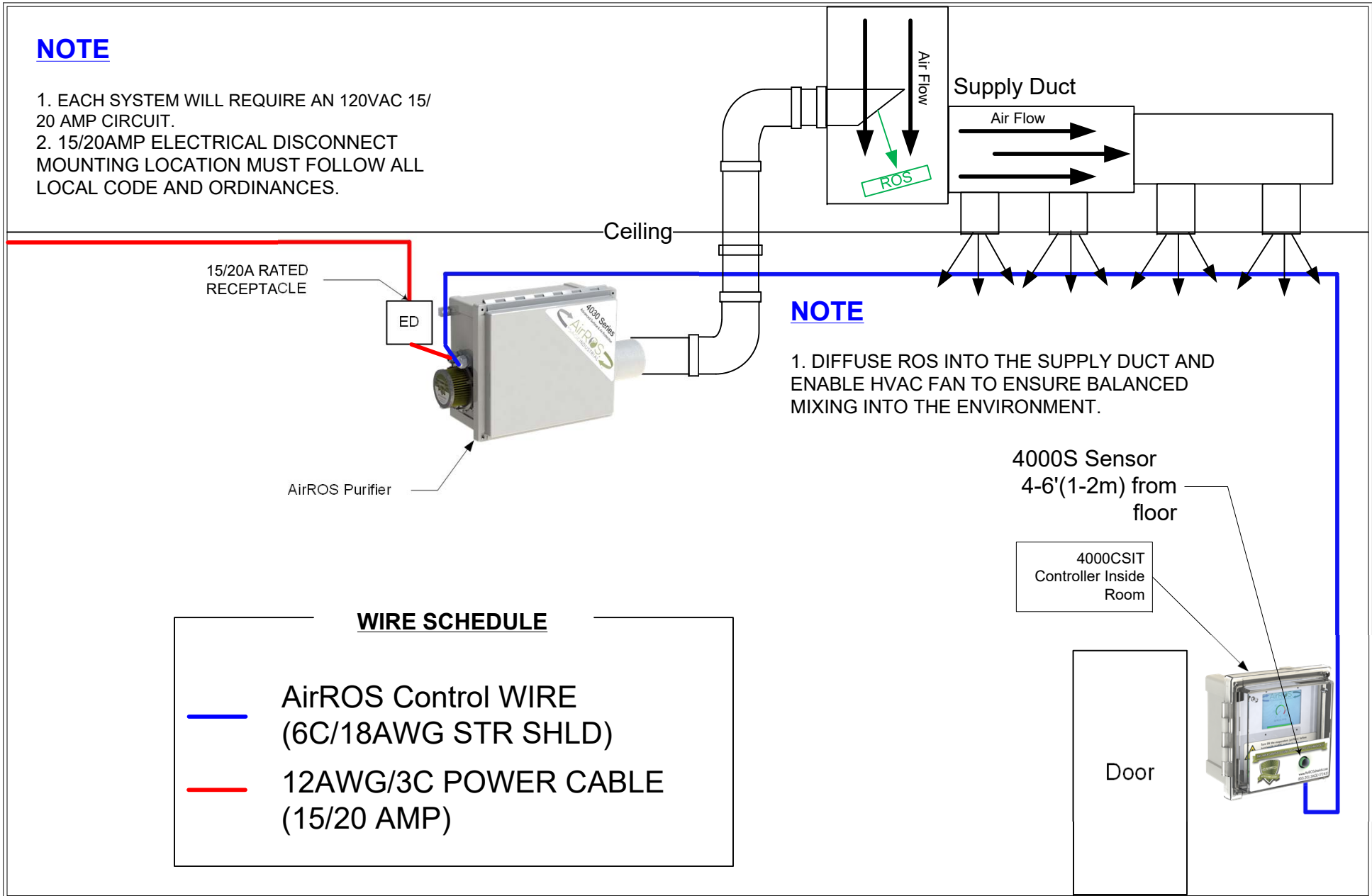
All designs indicated on these drawings are the property of SAGE Industrial and are intended for the specified job only. They shall not be duplicated for any other purpose without the consent of SAGE Industrial and are protected under provisions of the 1975 copyright act. Copyright 2018 SAGE Industrial Corp. All rights reserved.

Project Name:
**TYPICAL WIRING
DETAILS**

SAGE INDUSTRIAL
1865 Herndon Ave, K126
Clovis, CA 93611

NOTE

1. EACH SYSTEM WILL REQUIRE AN 120VAC 15/20 AMP CIRCUIT.
2. 15/20AMP ELECTRICAL DISCONNECT MOUNTING LOCATION MUST FOLLOW ALL LOCAL CODE AND ORDINANCES.



NOTE

1. DIFFUSE ROS INTO THE SUPPLY DUCT AND ENABLE HVAC FAN TO ENSURE BALANCED MIXING INTO THE ENVIRONMENT.

WIRE SCHEDULE

- AirROS Control WIRE (6C/18AWG STR SHLD)
- 12AWG/3C POWER CABLE (15/20 AMP)

NOT TO ACTUAL SIZE

Drawn By:	Brian Taylor	Date:	07/08/2020
Approved By:		Scale:	1" = 12'
Sheet:	1		
Sheet Title:	Room Layout		

No.	Revision/Issue	Date

All designs indicated on these drawings are the property of SAGE Industrial and are intended for the specified job only. They shall not be duplicated for any other purpose without the consent of SAGE Industrial and are protected under provisions of the 1975 copyright act. Copyright 2018 SAGE Industrial Corp. All rights reserved.

Project Name:
**TYPICAL WIRING
DETAILS**

SAGE INDUSTRIAL
1865 Herndon Ave, K126
Clovis, CA 93611